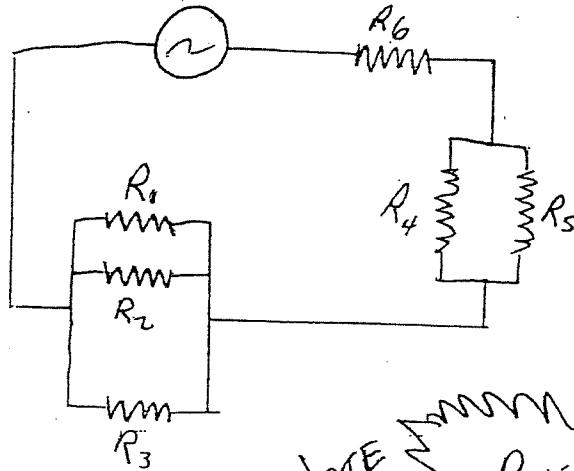


Calculate the missing values in the circuits below.

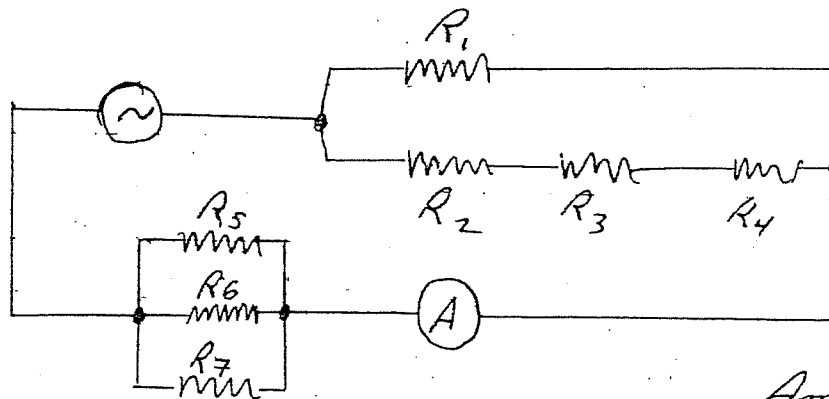
1.)



$V_0 = 9V$	$I_0 = 0.4A$
$V_1 =$	$I_1 = 0.25A$
$V_2 =$	$I_2 =$
$V_3 = 4V$	$I_3 =$
$V_4 =$	$I_4 =$
$V_5 =$	$I_5 =$
$V_6 = 3.2V$	$I_6 =$

NOTE $R_4 = R_5$
 $R_3 = 2R_2$

2.)

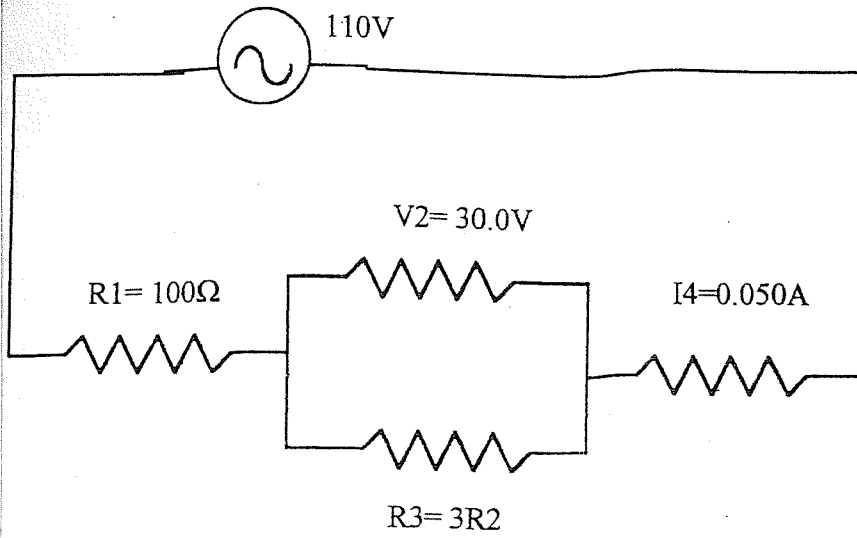


$V_0 = 120V$	$I_0 =$	$R_0 =$
$V_1 =$	$I_1 =$	$R_1 = 187 \Omega$
$V_2 =$	$I_2 =$	$R_2 = 240 \Omega$
$V_3 =$	$I_3 = 0.125A$	$R_3 =$
$V_4 = 20V$	$I_4 =$	$R_4 =$
$V_5 =$	$I_5 = 0.2A$	$R_5 =$
$V_6 =$	$I_6 =$	$R_6 = 417 \Omega$
$V_7 =$	$I_7 =$	$R_7 =$

Ammeter reads
 $0.500 A$

NAME _____

Analyse the following circuits using the given information.



$V_0 =$

$I_0 =$

$R_0 =$

$V_1 =$

$I_1 =$

$R_1 =$

$V_2 =$

$I_2 =$

$R_2 =$

$V_3 =$

$I_3 =$

$R_3 =$

$V_4 =$

$I_4 =$

$R_4 =$